



PREMIER[®]
RESORT

CUTTY SARK
SCOTTBURGH



PROPERTY DESCRIPTION



Cutty Sark, Scottburgh



Beach | Sea



Durban CBD **65 km** | King Shaka International Airport **96 km**

Scottburgh, a charming bay situated on the south bank of the Mpambanyoni River, is favourite amongst tourists and scuba divers. Set amidst 14 acres of beautifully manicured grounds and unspoilt indigenous vegetation, this resort has immediate beach access, making it the first choice for South Coast accommodation. Two conference venues accommodate up to 150 delegates while team building options may be combined with beach and diving activities for a sense of adventure. The Mariner's Cup Restaurant offers buffet style meals and is famous amongst locals for its hearty Sunday buffet lunch.

ROOMS

12 Standard Rooms
Twin beds | Bath or Shower

4 Superior Rooms
Double bed | Shower

14 Deluxe Rooms
Double & Single bed | Shower

18 Family Rooms
2 Double & Twin beds | Interleading Door
En-suite Bathroom or Shower

RESORT FACILITIES

Smoke free resort ● On-site Parking ● 24-hour reception ● Wake-up Call ● Free Wi-Fi ● Conference Facilities ● Restaurant & Bar
Games Room ● Premier Kids Club ● Swings & Trampoline ● Swimming Pool
Beach & Sea Access ● Scuba Excursions



World Class Africa



**PREMIER
RESORT**

CUTTY SARK
SCOTTBURGH



CONFERRING

Overlooking the deep blue sea and surrounded by lush gardens and golden beaches, choose Premier Resort Cutty Sark to host your next conference, product launch or team building event in the style that Premier is known to deliver.

	<i>U-shaped</i>	<i>School Room</i>	<i>Cinema</i>	<i>Banquet</i>	<i>Width</i>	<i>Length</i>	<i>m²</i>
Starboard	30	40	50	48	6.8m	12m	81m ²
Chart Room	50	100	140	120	13m	15m	195m ²

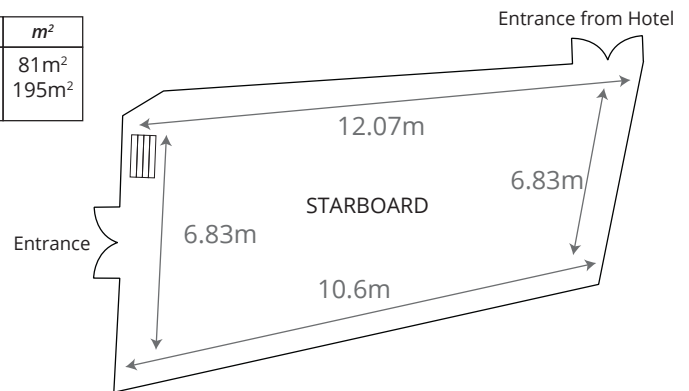
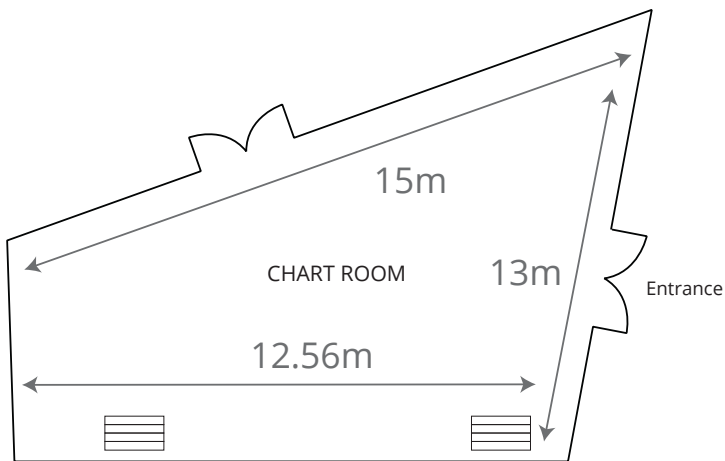


Diagram Key	
	Doors
	Pillars
	Natural light
	Telephone
	Plug point
	Three phase power point
	Light switch
	Air conditioner
	Pull down screen

[Click to request a quote](#)